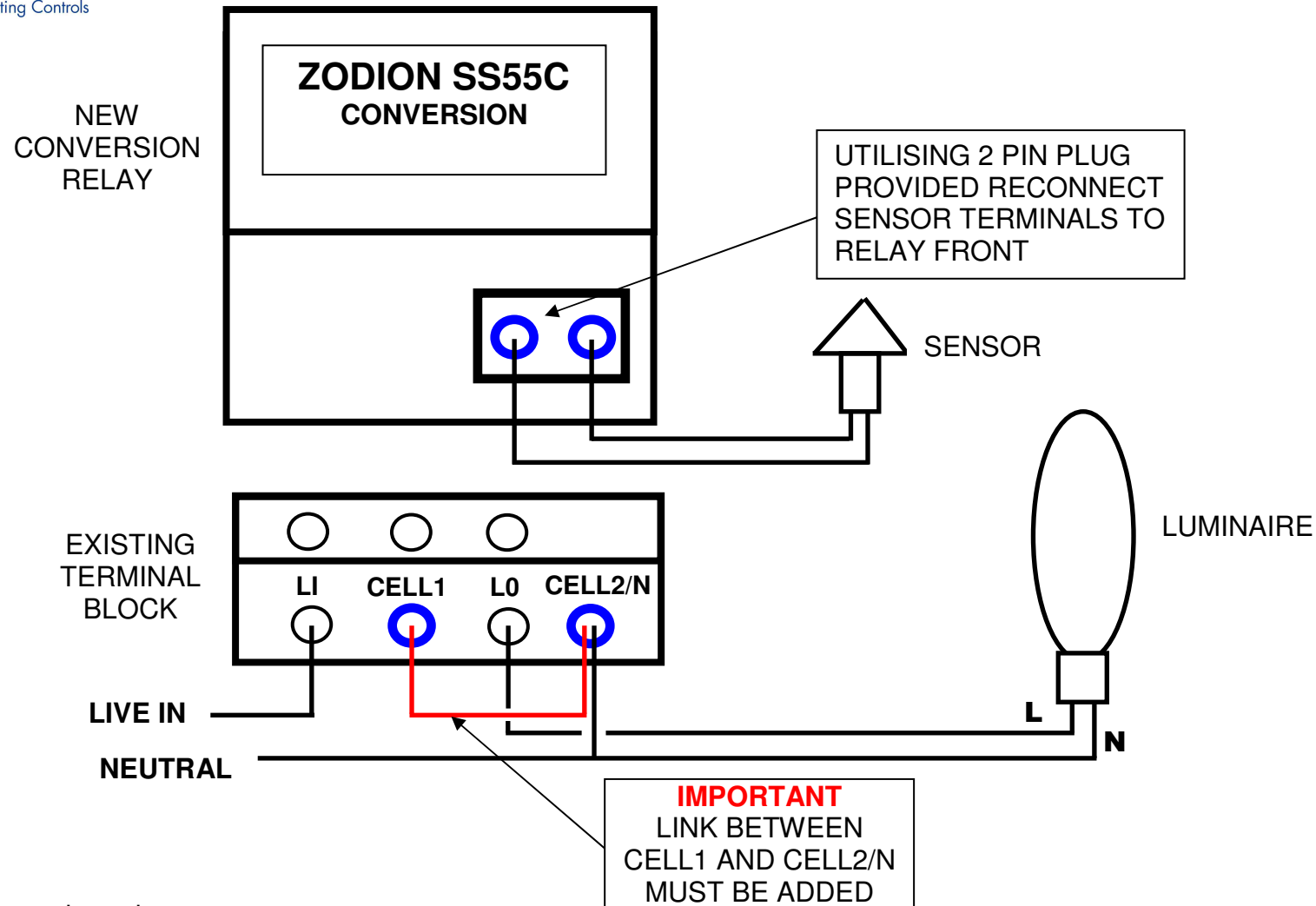


ZODION SS55C CONVERSION RELAY CONNECTION GUIDE



To fit SS55C conversion relay:

- Turn off supply
- Remove thermal relay by pulling forward from the terminal block
- Disconnect existing sensor from cell1, cell2/N terminals and replace with link
- Use 2 pin plug provided and connect sensor into relay front connector
- Fit SS55C relay onto existing terminal block and test operation